

Industrial Generator Set Accessories

KOHLER POWER SYSTEMS

12 Volt (24 Volt*), 6 Amp
Float/Equalize Battery Charger

ISO 9001
KOHLER
POWER SYSTEMS
NATIONALLY REGISTERED



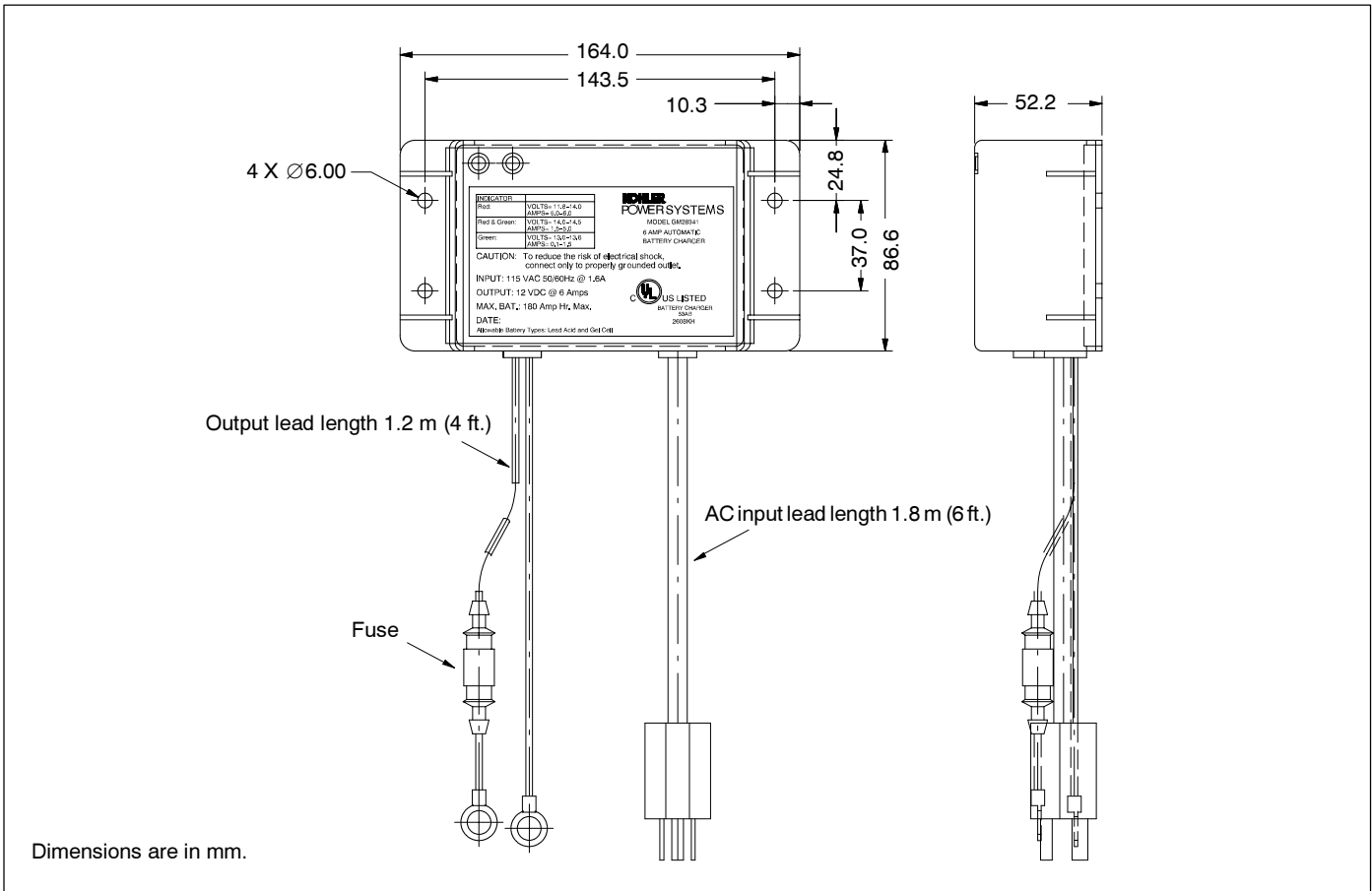
Standard Features

- 12 VDC output. * Use two battery chargers for 24-volt electrical systems
- Automatic 3-stage float/equalize battery charger
- Charges both lead-acid and gel-cell type batteries
- Indicator lamps: red and green LEDs indicate bulk charge, absorption, and float charge stages
- Durable potted assembly for full waterproofing and shockproofing
- Reverse-polarity protection
- Short-circuit protection
- UL 1236 listed
- UL 2200 compliant
- UL 991 compliant for vibration and shock
- UL listed to Canadian safety standards
- UL rated inline fuse
- FCC Class B-compliant for EMI/RFI†
- 1-year warranty
- Easy installation:
 - Integral mounting flanges
 - Ring terminals for battery connection
 - Standard US style 3-prong AC plug

† Date code 8/26/04 or later

Specifications

Battery Charger Kits	GM28688-KA1/KP1, KA2/KP2 GM28569-KA1/KP1, KA2/KP2, KA3/KP3
Input Voltage	90-135 VAC
Input Frequency	50/60 Hz
DC Output:	
Bulk	11.8-14.0 VDC @ 5.0-6.0 amps
Absorption	14.0-14.5 VDC @ 1.5-5.0 amps
Float	13.3-14.5 VDC @ 0.1-1.5 amps
Steady Full-Load Output Current	6 amps
Current Limit	7 amps
Output Power Limit	70 +2/-5 watts
Line Regulation Across Input Voltage Range	1%
Isolation, Input to Output	2500 V
Dimensions (L x W x D)	164 x 87 x 53 mm (6.4 x 3.5 x 2.1 in)
Weight	1.6 kg (3.5 lb.)
Temperature Range, Operating and Storage	-40° to 70°C (-40° to 158° F)
Humidity	0 to 100% (condensing)



Battery Connections

Lead Length 1.2 m (4 ft.)
 Battery Connections 9.5 mm (3/8 in.) ring terminals

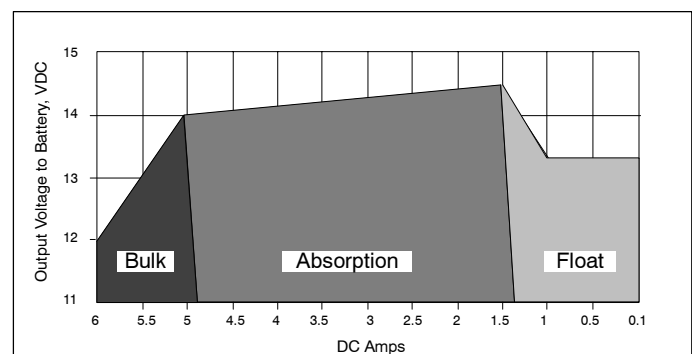
AC Power Connections

Lead Length 1.8 m (6 ft.)
 Connection Standard US style 3-prong AC plug

Shipping Information

Carton Size 254 x 152 x 89 mm (10 x 6 x 3.5 in.)
 Shipping Weight 1.8 kg (4 lb.)

Charging Curves



DISTRIBUTED BY:

Availability is subject to change without notice. Kohler Co. reserves the right to change the design or specifications without notice and without any obligation or liability whatsoever. Contact your local Kohler® generator distributor for availability.