

Kohler PowerScan™ Monitor System

KOHLER POWER SYSTEMS

Wireless Monitor

ISO 9001
KOHLER
POWER SYSTEMS
NATIONALLY REGISTERED



Communication Features

- Wireless monitor receives data from the equipment controller
- Monitor sends alarms over the North American AMPS (advanced mobile phone system) to the operations center server
- Operations center annunciates alarm messages via the customer-selected delivery method
- Monitor communicates via Modbus® connection or via discrete inputs
- Monitor scans alarm messages every 2-3 seconds
- System manages multiple alarms as required

Website Features

- Uses the power of the Internet to view activity
- Operations center manages equipment data for website access
- Messages are reported in text format with time and date stamps identifying target recipient
- Information contains the alarm condition, equipment make/model, and equipment location
- Monitors and records equipment operation on a password-protected website
- Monitor sends a heartbeat message every 24 hours with system information to confirm operation. Device failure produces *Unit Failed to Report Heartbeat* alarm message
- Records equipment runtimes
- Monitors service button activation to verify on-site response
- Displays generator set battery low alarm

System Features

- UL 2017 listed
- Provides system reliability via around-the-clock monitoring
- Uses wireless technology to send messages
- Sends messages instantly to selected recipients
- Allows customer selection of inputs, which can include overcrank, low oil pressure, high engine temperature, door open, and common fault alarms
- Allows the customer to select the delivery method to alert recipients: cell phone, pager (alphanumeric and numeric), fax, XML-based messaging, voice mail, or e-mail
- Results in the dispatch of the best qualified technician
- Reduces unplanned outages
- Provides remote start/stop capability *

Hardware Features

- Easy installation and activation
- Dry contact and voltage inputs
- Lockable enclosure with mounting tabs
- 76 mm (3 in.) antenna with weather-resistant connector
- LED indicators to verify communication and operation
 - Yellow: indicates service ready, transmitting message, or no service
 - Green: indicates successful message transmission, waiting to transmit, or no service
 - Red: indicates active input (viewable above each input when panel is removed)
- LED display indicates signal strength of cellular transmission or service mode
- Service button to signal on-site response
- Alarm silence button to silence audible alarms and provide a diagnostic code
- Knockouts for cable entry
- DIP switches:
 - Enable/disable remote start/stop *
 - Enable/disable audible alarm
 - NO/NC input selection
 - AC/DC power supply selection

Specifications

- Power supply: 85-120 VAC @ 60 Hz or 12/24 VDC
- Current draw: 1.5 amps maximum
- Operating temperature range: -40° to 60°C (-40° to 140°F)
- Storage temperature range: -40° to 70°C (-40° to 160°F)
- Humidity range: 5-95% noncondensing
- Enclosure: Type 4, approved for outdoor installation, surface mountable
- Voltage input rating: 24-120 VAC or 5-48 VDC

* Disable connected equipment during maintenance or service to prevent accidental starting. See the equipment Operation Manual for instructions. Modbus® is a registered trademark of Schneider Electric

Models

Wireless Monitor Model	Power Requirement	Description
GM29535	120 VAC or 12/24 VDC	Includes 7 hardwire inputs: 4 dry contact inputs and 3 voltage inputs.
GM29536	120 VAC or 12/24 VDC	Uses Modbus® communication. Also includes 8 hardwire inputs (4 dry contact and 4 voltage inputs).
Modbus® is a registered trademark of Schneider Electric		

Accessories

UL-listed wireless monitor models GM29535 and GM29536 include the standard 76 mm (3 in.) antenna. Additional accessories are available; contact your distributor/dealer for information.

Cell Coverage

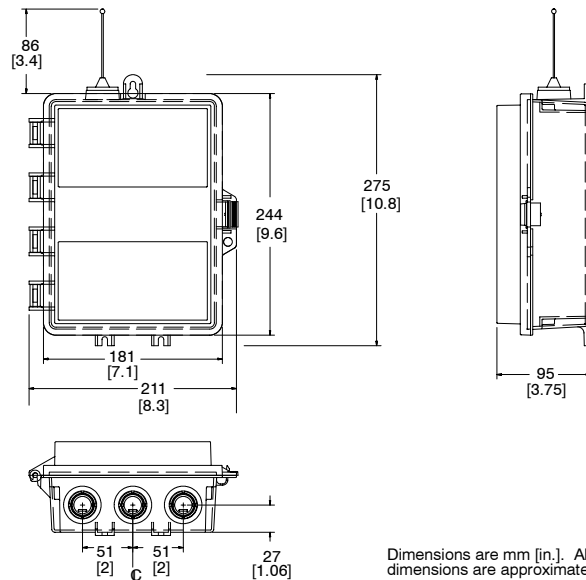
Before placing an order, check the cell coverage map located on the Kohler website at KohlerPowerSystems.com to determine coverage at your zip code.

Installation and Startup

For easy installation and startup:

- Connect the antenna to the enclosure.
- Check the signal strength before mounting.
- Mount the enclosure.
- Connect the outputs from the monitored equipment. Refer to the equipment manufacturer's instructions for connection diagrams.
- Connect the unit to a 12 VDC, 24 VDC, or 120 VAC/60 Hz power source. (Provide a step-down transformer for sources greater than 120 VAC.)
- Connect the battery pack (AC models only).
- Record the transmitter device ID number from the device label.
- Access the website (KohlerPowerSystems.com) to activate the system and set up message delivery.
- Refer to TP-6159, Operation Manual, for detailed operation information including device configuration instructions.

Dimensions



DISTRIBUTED BY:

Availability is subject to change without notice. Kohler Co. reserves the right to change the design or specifications without notice and without any obligation or liability whatsoever. Contact your local Kohler® generator distributor for availability.